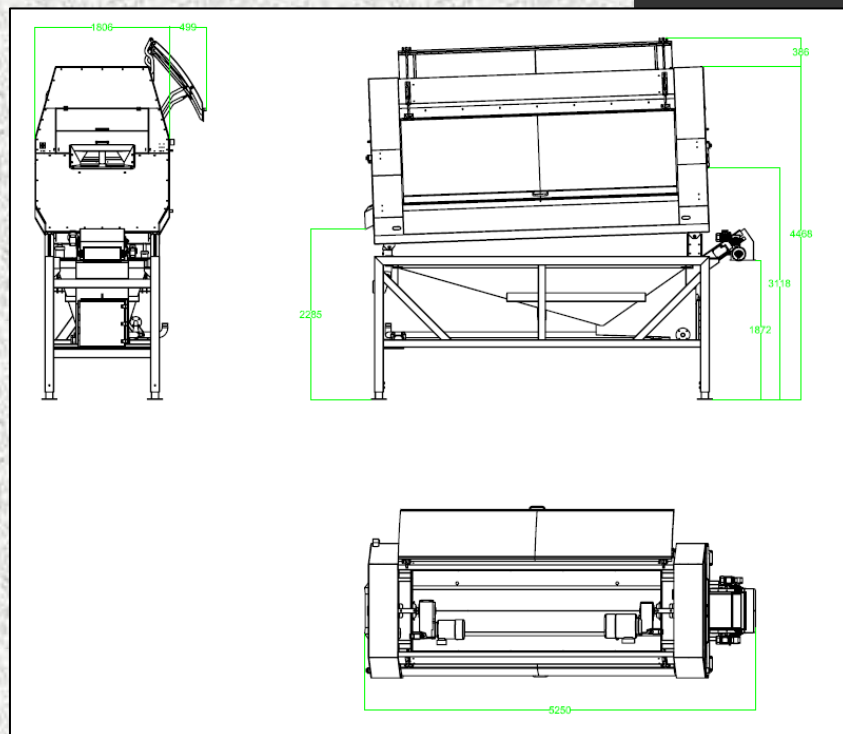
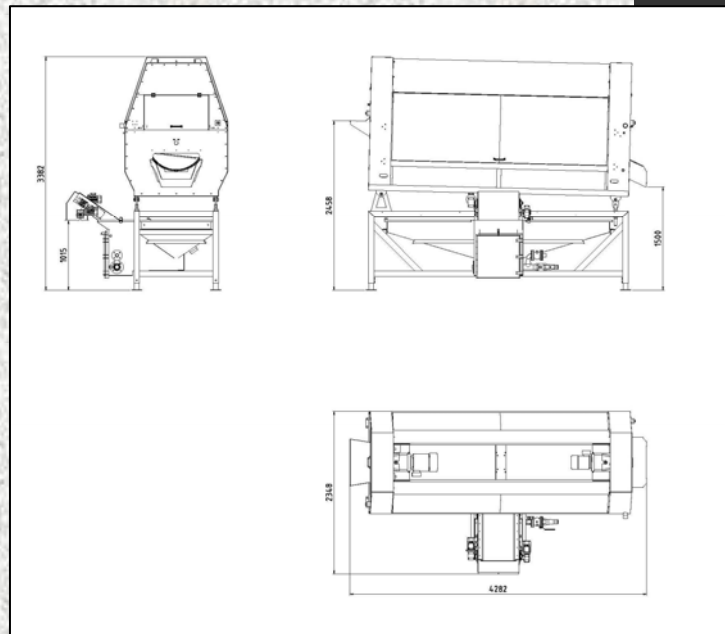
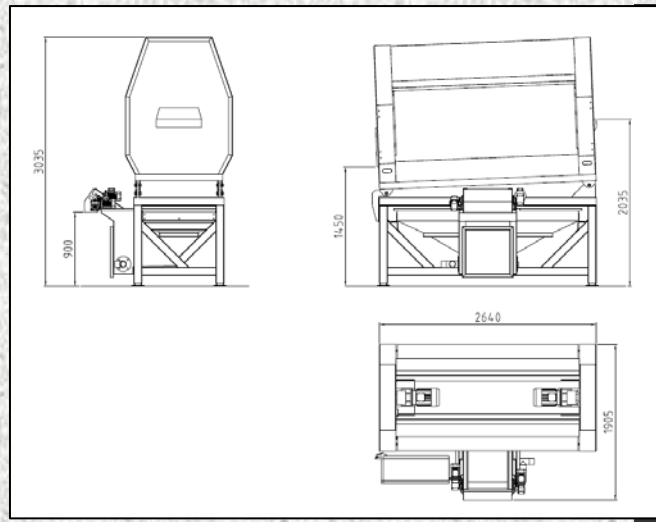


Dimensions



Root Crop Polishers

EKKO polishers are developed for all growers, with needs up to 30 tons/hours. All polishers from EKKO Maskiner A/S are delivered complete with water tank and re-circulation system, which secures optimal polishing, due to the huge amount of water in the drum. Only in the last 1/3 of the drum is sprinkled with fresh water. Thereby the consumption of fresh water is only about 300-500 l/hour. The water tank is fitted with a filter belt, which slowly brings the rejects out to the side. The pump for re-circulation is placed behind the filter belt, whereby the recycled water constantly gets filtered.

EM Polishers are equipped with 14, 16 or 20 brush rollers, respectively 2, 3 or 3,5 meters long. The hair length on the brushes is just 18 mm, and on top of that we use brushes with closeness, which is 25 % higher than on other known polishers. This makes EKKO especially well suited for thinner products such as carrots.

The machines are equipped with 2 frequency-controlled motors. One for drum drive and one for brushes. The torque is transferred through field-proven Poly-V belts. The frequency control ensures that both drum and brushes automatically starts and stop slowly, but first and foremost, that the speed of both is adjustable. Thereby it is possible to adjust the polishing effect, as well as the flow speed. All bearings in the machines can optionally be equipped with self-discharging lubricating cartridges. The EKKO Polishers are always complete units, with no need for extras to start polishing. It is "Plug-and-play" when you buy a polisher from EKKO.



EM 1207 – 8 tons/hour



EM 1208 – 15 tons/hour



EM 1209 – 30 tons/hour

Technical specifications

EM 1207

Capacity: Carrots up to 5 tons/hour
Potatoes up to 8 tons/hour

Number brush rollers: 14

Drum length: 2.000 mm

Drum diameter: 630 mm

Brush diameter: 180 mm

Brush hair length: 18 mm

Drum motor: 1,50 kW

Brush motor: 5,50 kW

Filter belt motor: 0,37 kW

Filter belt brush motor: 0,37 kW

Circulation pump: 2,20 kW

Drum rotation: Frequency control

Brush rotation: Frequency control

Construction: Fully or partially stainless

EM 1208

Capacity: Carrots up to 10 tons/hour
Potatoes up to 15 tons/hour

Number brush rollers: 16

Drum length: 3.000 mm

Drum diameter: 745 mm

Brush diameter: 180 mm

Brush hair length: 18 mm

Drum motor: 2,20 kW

Brush motor: 9,20 kW

Filter belt motor: 0,37 kW

Filter belt brush motor: 0,37 kW

Circulation pump: 2,20 kW

Drum rotation: Frequency control

Brush rotation: Frequency control

Construction: Fully or partially stainless

EM 1209

Capacity: Carrots up to 20 tons/ hour
Potatoes up to 30 tons/ hour

Number brush rollers: 20

Drum length: 3.500 mm

Drum diameter: 975 mm

Brush diameter: 180 mm

Brush hair length: 18 mm

Drum motor: 5,50 kW

Brush motor: 18,50 kW

Filter belt motor: 0,37 kW

Filter belt brush motor: 0,37 kW

Circulation pump: 2,20 kW

Drum rotation: Frequency control

Brush rotation: Frequency control

Construction: Fully or partially stainless

EKKO offer the following brush types:

0,4 mm hair thickness:
Well suited for gentle polishing of potatoes.

0,5 mm hair thickness:
Well suited for general polishing of potatoes.

0,6 mm hair thickness:
Well suited for general polishing of carrots.

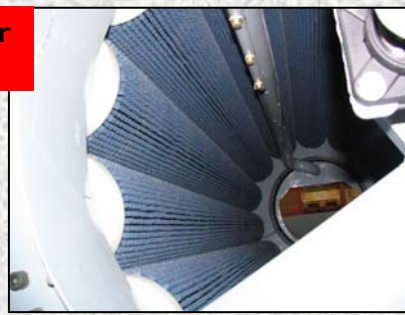
0,7 mm hair thickness:
Well suited for sturdy polishing of carrots.

0,5/0,6 mm hair thickness "Sinus":
Well suited for general polishing of curved/bend root crops.



A look inside the drum on EKKO polisher EM 1207

EKKO polisher can be delivered with automatic door



A solid Poly-V belt drive on EM 1207

For automatic door, a remote control panel with 10 m cable is included



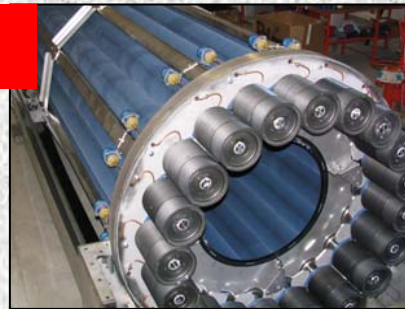
We offer as an option an automatic lubricating of all bearings

EKKO polishers have flow control sensors as standard



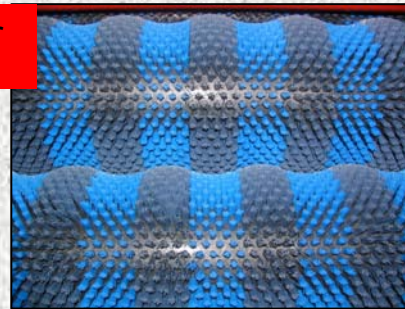
The complete drum for a stainless EM 1209 polisher

EKKO polishers have water circulation with tank with filter belt out to the side



"Sinus" brushes developed specially for curved/bend root crops

The pump for water circulation is placed under the filter belt



EKKO polishers have frequency control of motors as standard

EKKO polishers have "seagull wings" for simple cleaning

